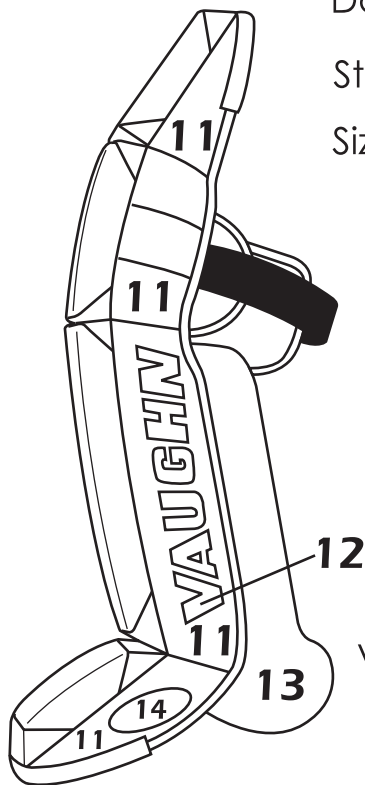
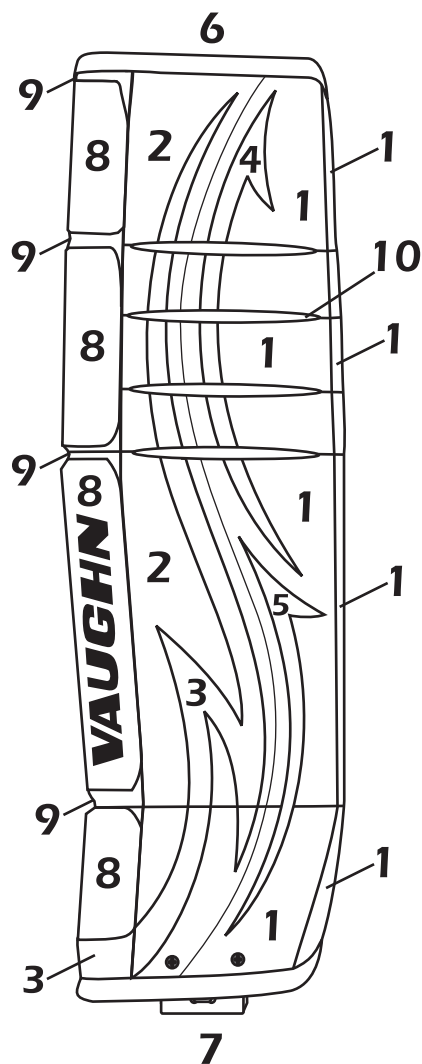




VAUGHN CUSTOM SPORTS USA
 550 S. GLASPIE OXFORD MICHIGAN 48371 TEL:(248)969-8956 FAX:(248)969-8990
 EMAIL: ddoll@vaughnhockey.com FAX ORDER LINE:(800)252-2763

VPG 7600 VELOCITY 4



Date ordered: _____

Store name: _____

Size: _____

- 1 _____
- 2 _____
- 3 _____
- 4 _____
- 5 _____
- Top trim 6 _____
- Bottom trim 7 _____
- 8 _____
- 9 _____
- Knee bars 10 _____
- 11 _____
- Vaughn letters 12 _____
- back of pad 13 _____
- 14 _____
- Leg straps _____

Vaughn transfer on face of pad: **silver** or **black**

Custom embroidered name on pads: _____